



## spare parts list Weldmaster 115V USA

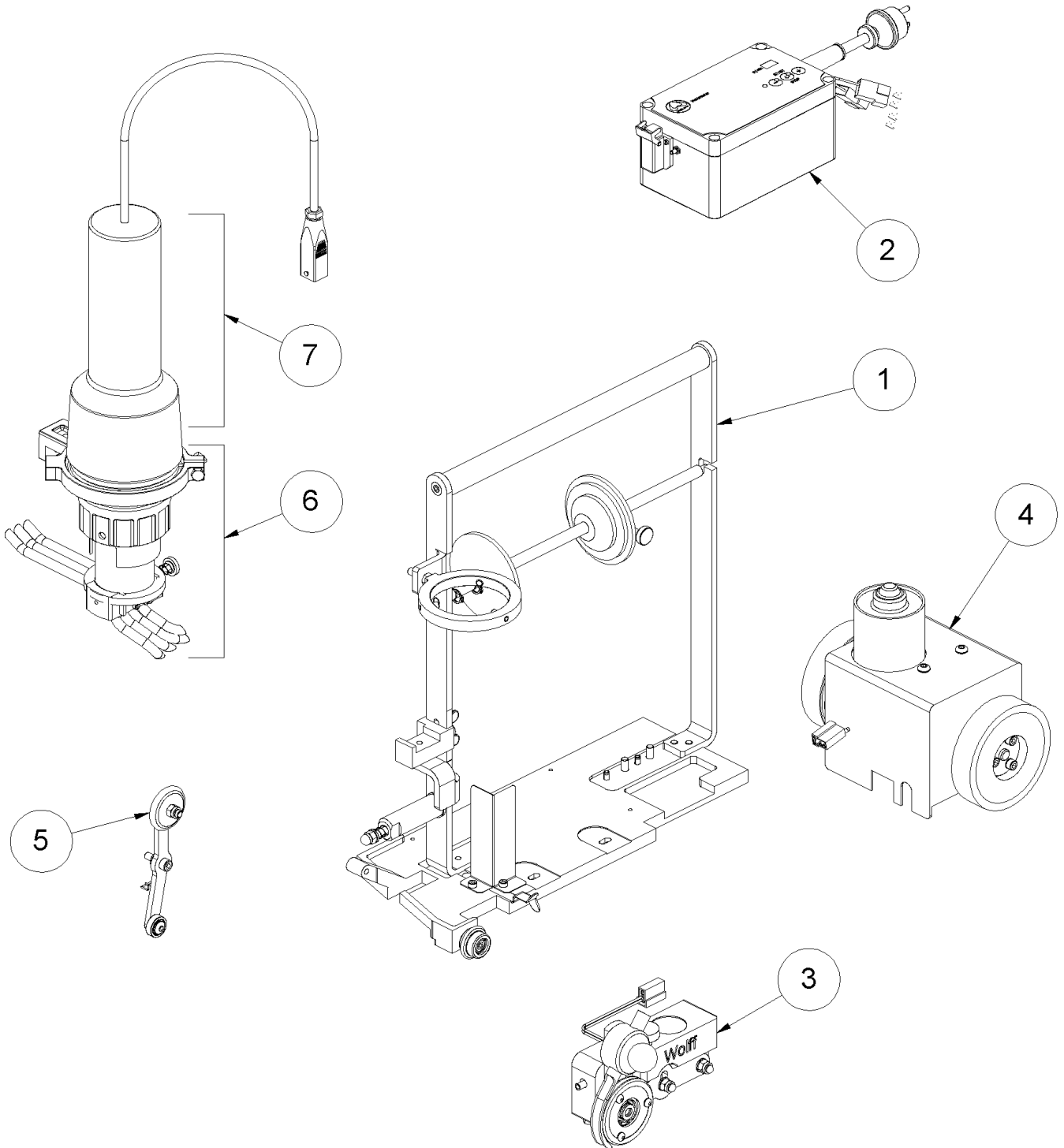


## Table of contents

---

1 Weldmaster (11/2005-11/2009)	3
1 Basic plate	5
2 Control electronics	8
3 Housing block	10
4 Drive Motor	12
5 Wall switch off	14
6 Welding head	16
7 Heating blower	18
8 Circuit diagram	20
9 Accesories	21

# 1 Weldmaster (11/2005-11/2009)



## 1 Weldmaster (11/2005-11/2009)

---

Item no.	Article no.	Description
1	01_01_013479	Basic plate
2	01_02_015297	Control electronics
3	01_03_013479	Housing block
4	01_04_013479	Drive Motor
5	01_05_013479	Wall switch off
6	01_06_013479	Welding head
7	01_07_013479	Heating blower
8	01_08_013479	Circuit diagram
9	01_09_013479	Accesories



## 1 Basic plate

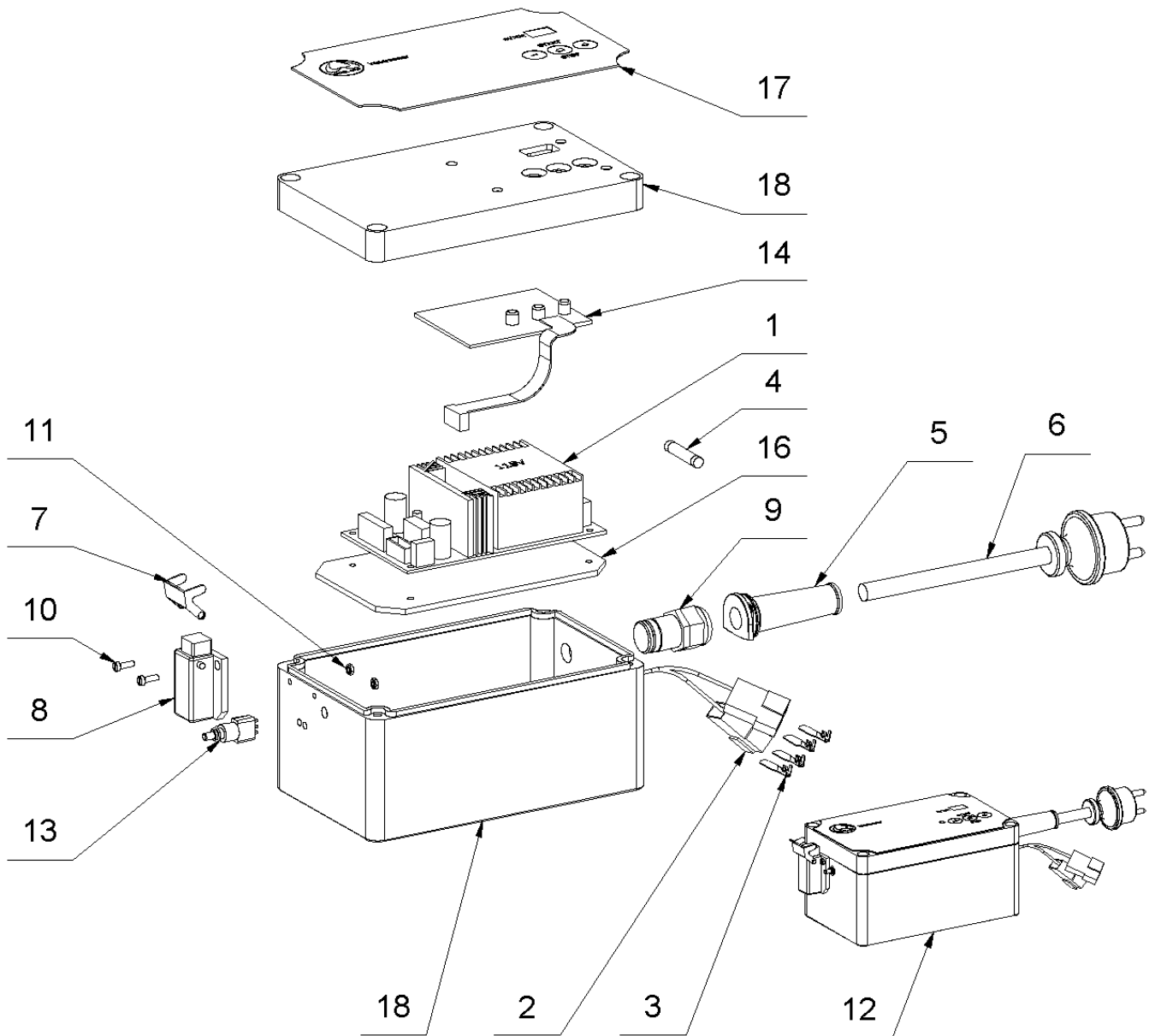
Item no.	Article no.	Description	Quantity
1	015285	Base plate SAM 2	1
2	015287	Axle for welding rod	1
3	017860	Shackle up front SAM 2	1
4	015288	Strap back SAM 2	1
5	017886	Axle f.shackle SAM 2	1
6	017421	Roller holder rigid	1
7	015289	Roller holder moveable SAM 2	1
8	014723	Cylinder head screw M5x40 DIN 912	1
9	017940	Bracket support SAM 2	1
10	017937	Switching sleeve SAM 2	1
11	017934	Supporting ring SAM 2	1
12	017615	Pressing plate SAM 2	1
13	015300	Nozzle cover SAM 2	1
14	015040	Guide roller compl	1
15	015258	Guiding roll SM1200	1
16	017538	Ball bearing 626 2RS	1
17	014827	Washer M6 DIN 125 A	1
18	017687	Cap nut M 6 DIN 1587	1
19	014774	Hexagon head screw M 6x 75 DIN 931	1
20	017699	Countersunk screw M6x30 DIN 7991 10.9	1
21	017677	Wing screw M 6x16 DIN 316	1
22	017724	Washer 6,4 DIN 9021	1
23	017694	Safety washer A10 DIN 471	2
24	014894	Pressure spring VD-090E / 9x23,90x0,55	1
25	017717	Cylindrical pin 6x 24 DIN 6325	2
26	017524	Headless pin M6x40 DIN 913	1
27	014756	Countersunk screw M6x16 DIN 7991 10.9	4
28	014757	Countersunk screw M6x20 DIN 7991 10.9	2
29	014809	Hexagon nut M6 DIN 934	5
30	014889	Spiral pin 5x16/7374	2
31	014771	Hexagonal screw M 6x 20 DIN 933	1
32	014802	Thumb screw M 5	1
33	014717	Cylinder head screw M4x10 DIN 912	2
34	014843	Spring washer 6 DIN 127 B	1

## 1 Basic plate

---

Item no.	Article no.	Description	Quantity
35	017736	shim ring 6x12x1 DIN 988	1
36	017726	Countersunk screw M6x10 DIN 7991 10.9	2
37	014836	Sealing ring 22x17x2 SAM 2	1
38	017693	Safety washer I19 DIN 472	1
39	017529	headless pin M6x16 DIN 913	3

## 2 Control electronics

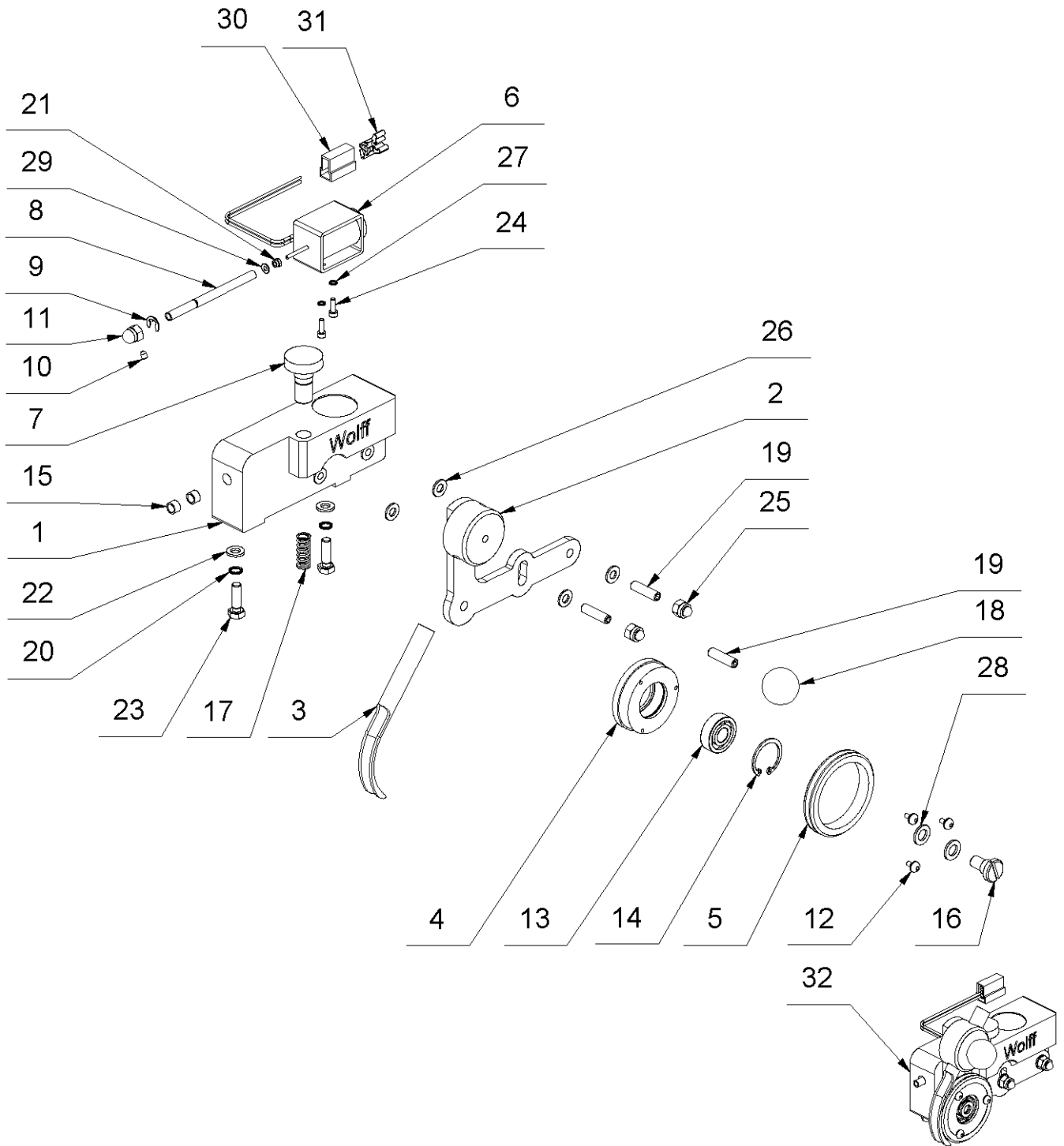




## 2 Control electronics

Item no.	Article no.	Description	Quantity
	056750	Cable set Temperaturdisplay	1
1	074195	Platine cpl. 115V Weldmaster	1
2	017644	Housing for flat connector	2
3	017788	Flat plug BM 638	4
4	061532	fuse 1A SAM 2	1
5	017664	Protective rubber sleeve	1
6	071009	El.cord 2x1,5 <sup>2</sup> x4m w.plug USA	3
7	017795	Retaining Clip SAM 2	1
8	017560	Attachment coupling SAM 2	1
9	014992	Protective cut-out switch	1
10	018246	Cylinder head screw M3x10 DIN 84	2
11	017629	Hexagon nut M3 DIN 934	2
12	015298	Electronics cpl. 115V SAM 2	1
13	014983	Calipers SAM 2	1
14	056009	Platine Electronics Weldm./SAM2	1
16	017930	Mounting plate SAM 2	1
17	017790	Foil display SAM 2	1
18	017995	Switch housing SAM 2	1

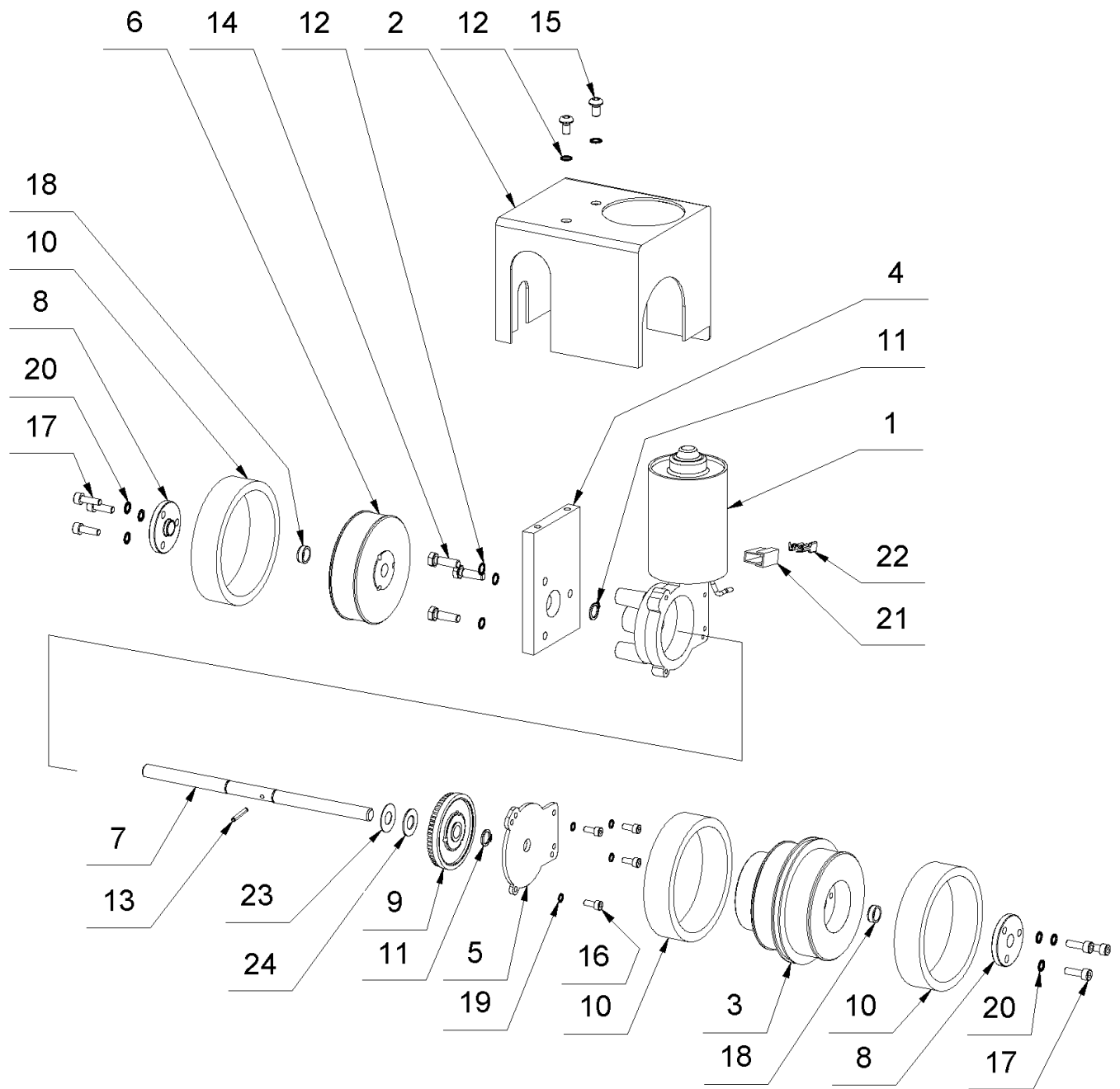
### 3 Housing block



### 3 Housing block

Item no.	Article no.	Description	Quantity
1	017880	Housing SAM 2	1
2	017882	Rocker SAM 2	1
3	015291	Welding rod feeding tube SAM 2	1
4	017933	Rim for welding wheel SAM 2	1
5	015282	Pressure roller SAM 2	1
6	015296	Shifting magnet SAM 2	1
7	017973	Knurled bolt M12x20	1
8	017972	Shifting rod SAM 2	1
9	017714	Safety washer d5 DIN 6799	1
10	064786	Thread pin M 4x 4 DIN 916	1
11	017986	cap nut SAM 2	1
12	017555	Lens head screw M3x6	3
13	017001	Ball Bearing 6000 2RSH	1
14	017692	Safety washer I26 / DIN 472	1
15	017759	Bushing 0605	2
16	017716	Flat head screw M8x 6 DIN 923	1
17	017751	Pressure spring VD-198 / 9,25x33x1,25	1
18	017543	Ball Handle 25mm M6 black	1
19	017683	Headless pin M 6x25 DIN 914	3
20	014859	Schnorr washer M6	2
21	017768	El.Stop-Nut M 3 DIN 985	1
22	014827	Washer M6 DIN 125 A	2
23	014771	Hexagonal screw M 6x 20 DIN 933	2
24	014715	Cylinder head screw M3x10 DIN 912	2
25	017728	cap nut M 6 DIN 986	2
26	017736	shim ring 6x12x1 DIN 988	4
27	017772	Schnorr washer M3	2
28	017648	shim ring 8x14x1,5 DIN 988	2
29	018223	disc M 3 DIN 125B vzkt	1
30	017668	Plug sleeve housing	1
31	017789	Flat plug sleeve B638	2

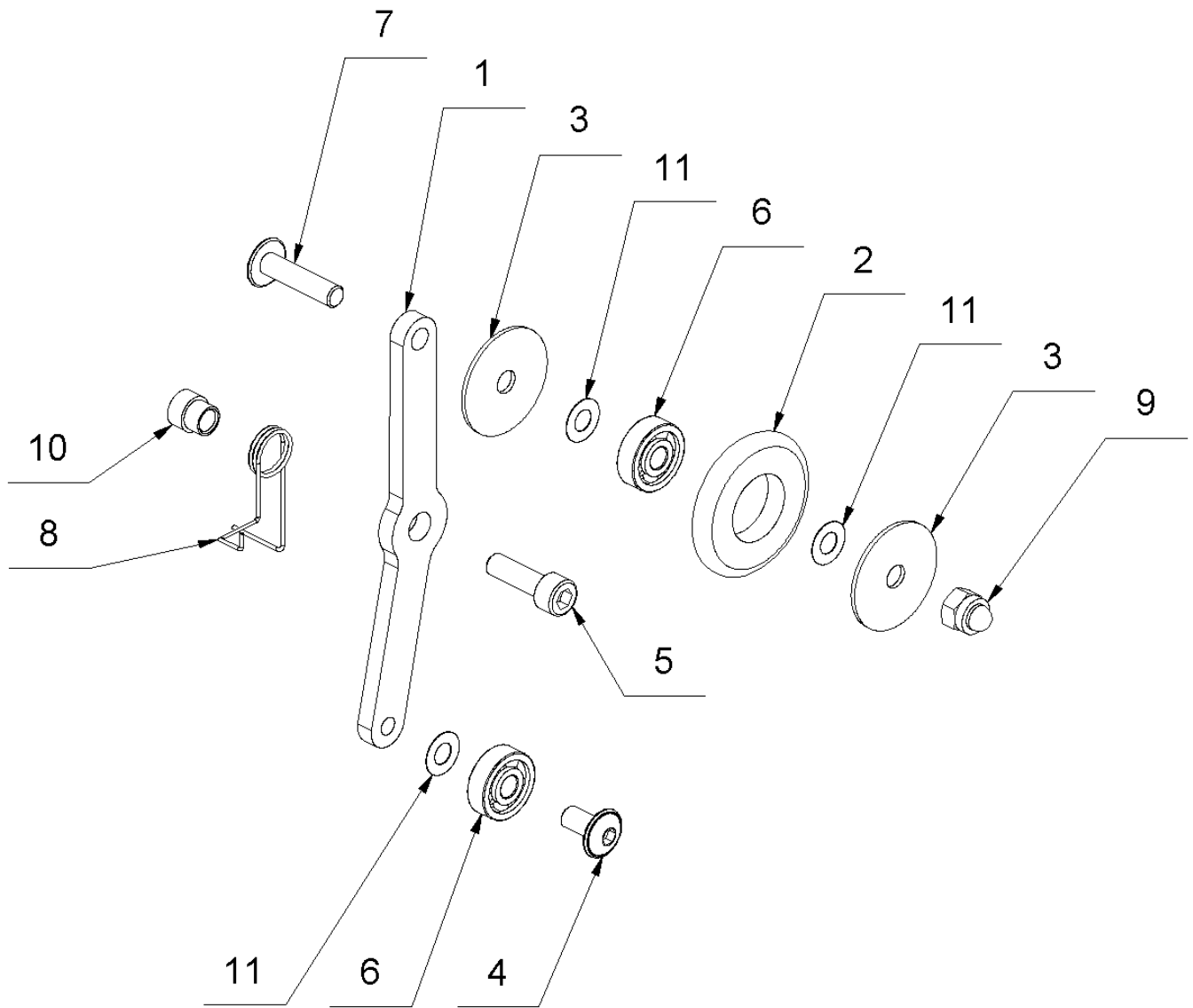
# 4 Drive Motor



## 4 Drive Motor

Item no.	Article no.	Description	Quantity
1	015301	Motor 230V+115V SAM 2 Siehe 82073	1
2	017853	Axle housing SAM 2	1
3	017833	Driving wheel SAM 2	1
4	017903	Ball bearing SAM 2	1
5	015290	Gear cover SAM 2	1
6	017849	Driving wheel, narrow SAM 2	1
7	015292	Axle Drive shaft SAM 2	1
8	017942	Tension flange SAM 2	2
9	015299	Worm wheel SAM 2 Siehe 82073	1
10	014930	Rubber band d62xd82x22 SAM 2	3
11	017694	Safety washer A10 DIN 471	2
12	014859	Schnorr washer M6	5
13	017775	spiral spring pin 3x20 DIN 7343	1
14	014771	Hexagonal screw M 6x 20 DIN 933	3
15	014799	Lens head screw M6x10	2
16	014717	Cylinder head screw M4x10 DIN 912	4
17	017610	Cylinder head screw M5x16 DIN 912	6
18	017774	Clamping sleeve 10x13 SAM 2	2
19	016961	Snorr washer M4	4
20	014858	Snorr washer M5	6
21	017668	Plug sleeve housing	1
22	017789	Flat plug sleeve B638	2
23	014840	Spacer 10x22x0.5	1
24	014844	Spring washer B M10 DIN 137	1

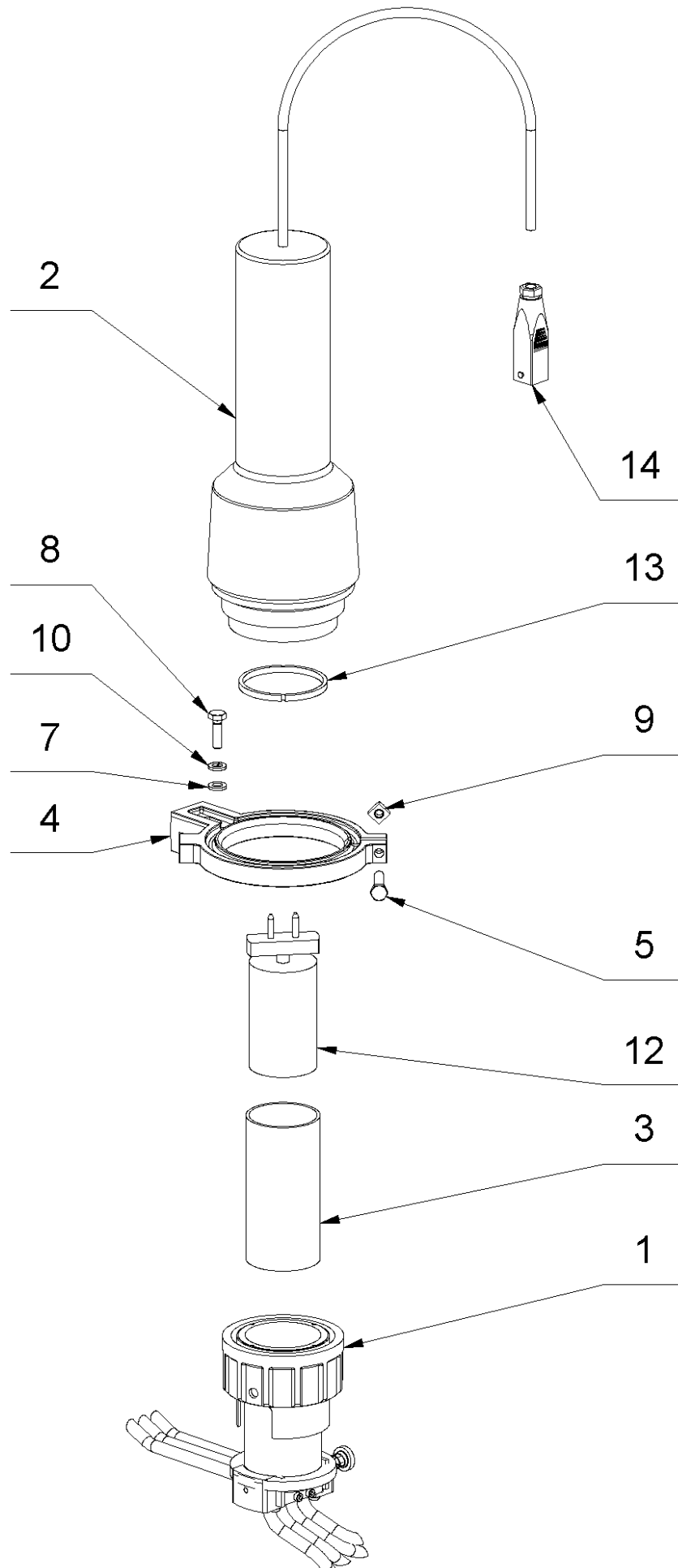
## 5 Wall switch off



## 5 Wall switch off

Item no.	Article no.	Description	Quantity
1	017962	Lever SAM 2 f.Abhebevorrichtung	1
2	015516	Rolls SAM 2	1
3	014835	Washer 6,4x30x1,25 n.DIN 522	2
4	017553	Lens head screw M6x12	1
5	014730	Cylinder head screw M6x20 DIN 912	1
6	017538	Ball bearing 626 2RS	2
7	017558	Lens head screw M 6x25	1
8	017722	Leg spring SAM 2	1
9	017728	cap nut M 6 DIN 986	1
10	017978	distance bushing SAM 2 Abhebevorr.	1
11	018076	Shim washer 6x12x0,2 DIN 988	3

## 6 Welding head

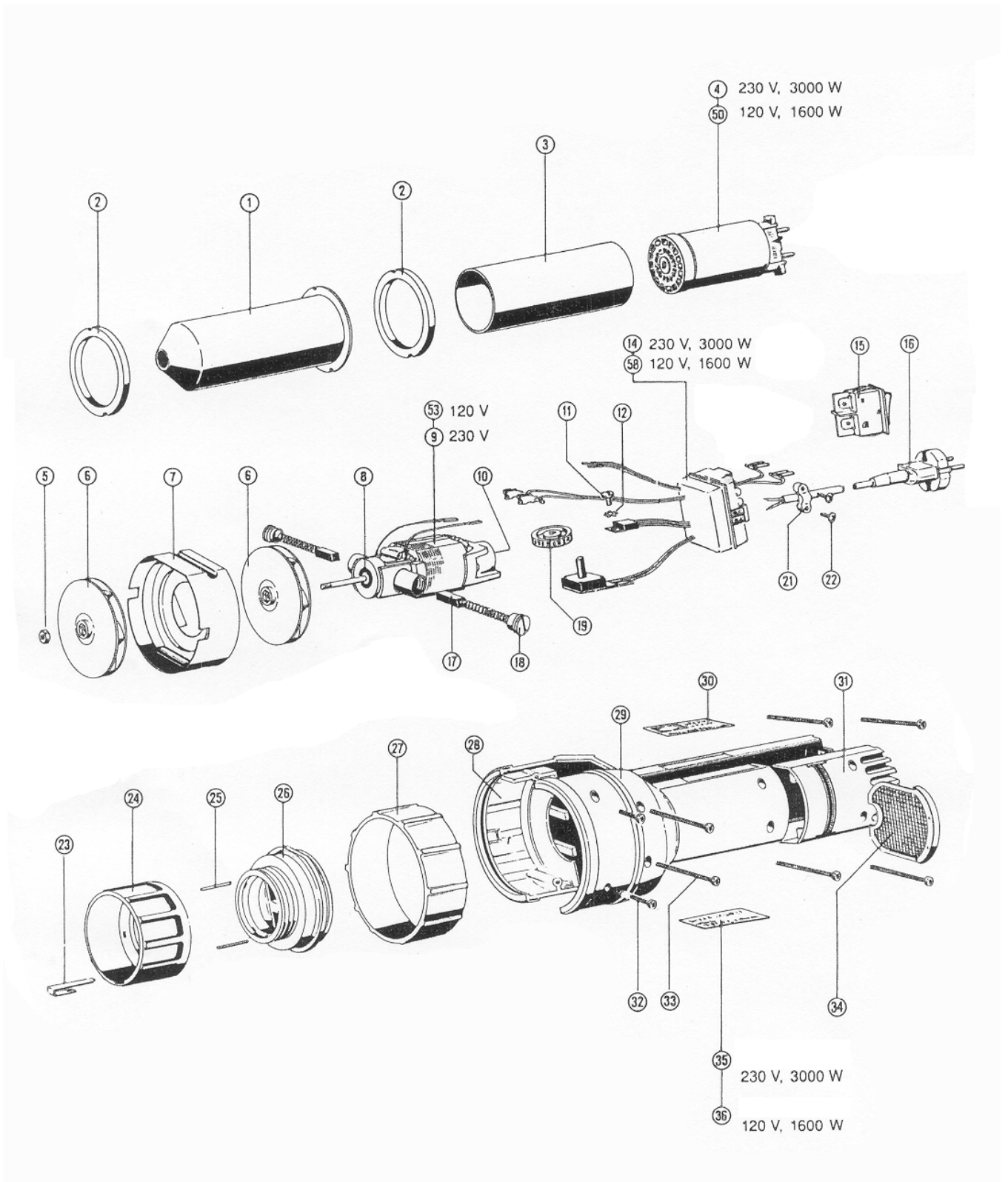




## 6 Welding head

Item no.	Article no.	Description	Quantity
1	014197	Welding gun top SAM 2	1
2	017576	Burner 120V SAM 2/50-60Hz	2
3	019289	Insulating tube SAM 2 f.heating element	1
4	015286	Bracket SAM 2	1
5	014773	Hexagonal screw M 6x 30 DIN933	1
7	014827	Washer M6 DIN 125 A	1
8	014771	Hexagonal screw M 6x 20 DIN 933	1
9	014819	Square nut M6/557	1
10	014843	Spring washer 6 DIN 127 B	1
12	018515	Heating element 115V 1600W SAM 2	1
13	017729	Insulated disc SAM 2	1
14	017635	Plug with traction relief SAM 2	1

# 7 Heating blower



## 7 Heating blower

Item no.	Article no.	Description
1		Socket
2		Grummet
3		Insulating tube
4		Heating element
5		Hexagon nut
6		Cooling fan
7		Fan housing
8		Ball bearing
10		Ball bearing
11		Cylindrical screw
12		Belt pulley
14	017482	Elektronic K25.30 SAM 2 /230V
15	050873	Switch SAM 2
16		Electrical cord
17	017461	Carbon brush 230V+115VSAM 2
18		Screw
19	041882	Rotary button f.electronic control SAM 2
21		Ring bolt
22		Screw
25		Pin
26	021038	Housing cap f.burner SAM 2
27		Charge ring
28		Housing left
29		Housing right
30		Logo
31		Cover
32		Binding head
33		Binding head
34		Sifter
35		Type plate
36		Type plate
50		Heating element
53		Motor
58		Electronics

## 8 Circuit diagram

---

## 9 Accessories

---

Item no.	Article no.	Description	Quantity
1	015284	Carrying case 500x235x435 SAM 2	1
2	015683	Cleaning brush, brass	1
3	056293	Technical instructions Weldmaster 3-sp	1
4	018515	Heating element 115V 1600W SAM 2	1